



Ready... Set...  
**Install!**

# Internet: Modem Installation Guide

# Thanks for choosing Breezeline™

In this guide, we will walk you through how to set up your new Internet modem from Breezeline.

**Current Customers:** If you need to replace your current equipment, start with the “Removing your equipment” section.

**New Customers:** To set up your modem, start with the “Installing your Modem” section.

We hope you enjoy your Internet service from Breezeline.

## What's inside?

|                              |   |
|------------------------------|---|
| Removing your Equipment..... | 4 |
| Installing your Modem .....  | 6 |

Don't feel like reading?

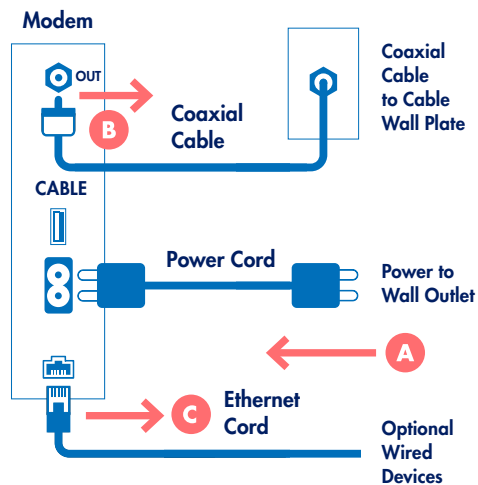
▶ [Click Here to Watch Our Installation Video](#)

Or visit: [breezeline.com/modeminstall](https://breezeline.com/modeminstall)



## How to remove your current equipment

1. Unplug your current modem from its power source. See diagram **A**.
2. Disconnect the coaxial cable line from the back of the wireless modem **B**. Do not disconnect the other end of the coaxial cable line from the wall or from any splitters.
3. Disconnect any Ethernet cord(s) from the current modem that are connected to any computers or other devices **C**. Do not disconnect the other end of the Ethernet cord(s) from any connected computers or gaming devices.



4. **DO YOU NEED TO RETURN YOUR EQUIPMENT?** When you placed your order, you should have been directed to return or recycle your old equipment. Unless specifically told to return it to Breezeline, please bring your old equipment to an electronics recycling center for disposal. Once deactivated, your old modem will no longer work.



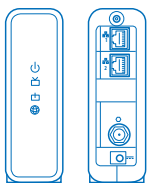
**Please Note:** If instructed to return your equipment to Breezeline and you fail to do so, a fee may be charged to your account.

5. Please proceed to the "Installing your Modem" section.

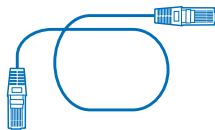
## Getting your modem connected

Follow these easy instructions to set up your new modem.

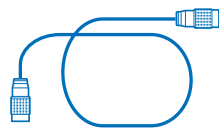
### WHAT YOU'LL NEED



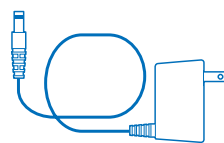
Modem



Ethernet Cord



Coaxial Cable



Power Cord

#### Level of Difficulty:



Easy

#### Time to Complete:




Up to 15 Min

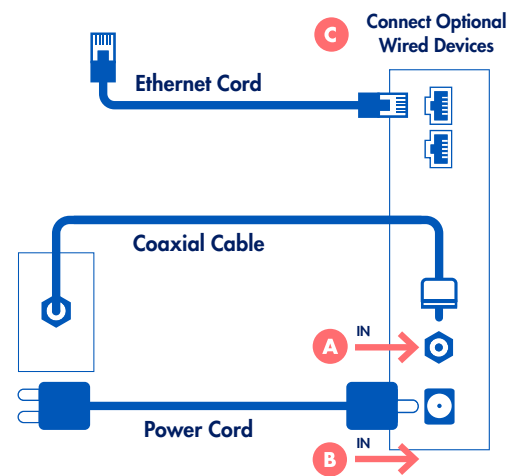
#### Required Steps:



4 Easy Steps

## How to set up your modem

1. Locate a cable wall outlet (coaxial) in a central location. It will look like this: 
2. Connect the coaxial cable from the wall to the modem **A** (insert into connector and turn barrel to tighten).
3. Connect power cord from modem to the wall outlet **B**. The modem will update once powered on. The process may take 5-10 minutes. When the lights in the front of the modem are glowing steady, it's ready to use.
4. Using the Ethernet cord provided, connect your wired device to the back of the modem. If your modem has more than one Ethernet port, always connect the Ethernet cord to Port 1 **C**.



**Important Note:** After you complete connecting your new modem, in order for the new settings to take effect, you will need to reboot all your wire connected devices like a computer or router.

**Tip**

If you are also activating WiFi Your Way™ Home, follow the instructions on How to Set up your modem on the next page and then follow the instructions on the WiFi Your Way™ Home Ready Set Go Instructions to download the App and activate your pods.



## Need additional support?

Please visit [breezeline.com/modeminstall](https://breezeline.com/modeminstall) to check out online resources including FAQs and set up videos.